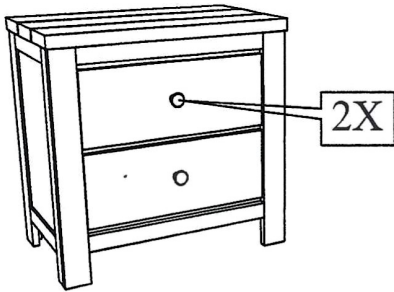
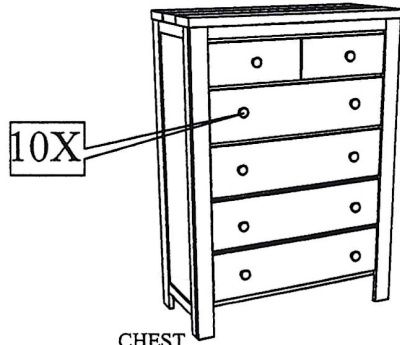


# RE-INSTALL HANDLE

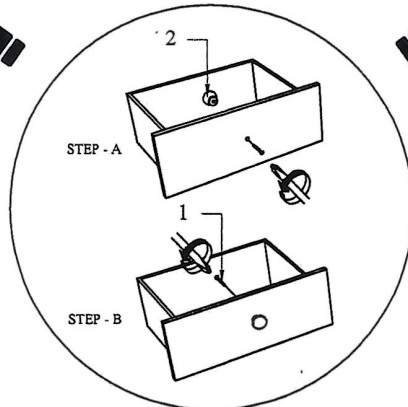
FOR NIGHT STAND , CHEST & DRESSER



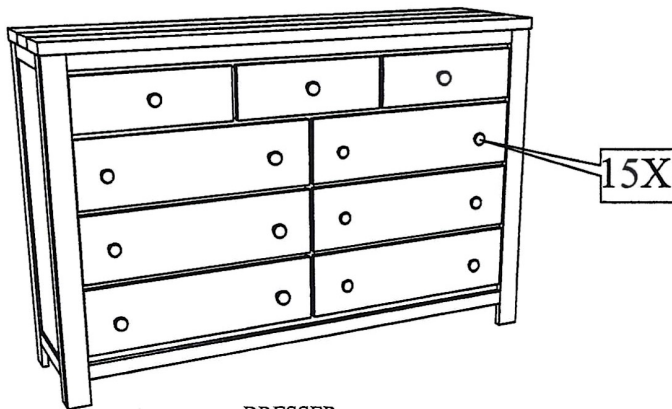
NIGHT STAND



CHEST



Remove HANDLE ( 2 ) using a Philips head screw ( 1 ) driver as shown in illustration STEP - A. Re-install the HANDLE ( 2 ) as per diagram STEP - B. Repeat STEP - A STEP - B until HANDLE ( 2 ) are attached correctly.



DRESSER